

# LogiLink®

## Low Profile TV Wall Mount for 23"-42" TV

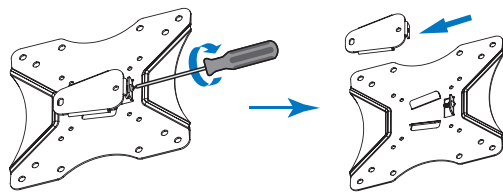
Art. No.: BP0004



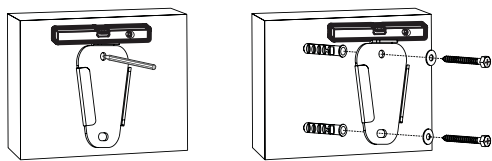
Ultra slim with 2-pieces easy installation design, compatible with VESA standard max. 200x200mm.

### Features:

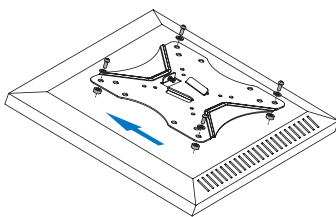
- » Super strong mounting brackets: Solid-reinforced Cold Steel, durable product with maximum capacity of 25kg
- » Ultra Slim just 13mm from the wall
- » Compatible with VESA 75x75mm, 100x100mm, 200x100mm, 200x200mm
- » Easy to install
- » Fit for 23-42 inch LED LCD plasma TV, PC Monitor screens



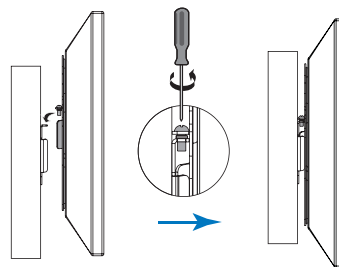
Remove the wall plate from the wall mount



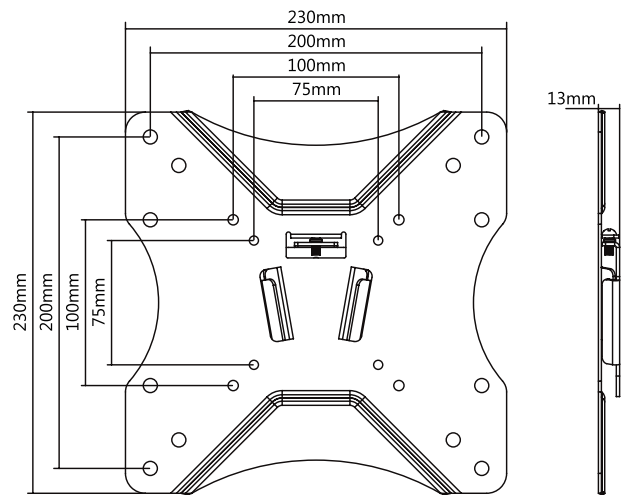
Install the wall plate to the wall



Install the wall mount to back of the TV



Apply the TV with wall mount to the wall plate



RoHS  
compliant

\* The specifications and pictures are subject to change without notice.  
\* All trade names referenced are the registered namework of their respective owners.



Made in China

# LogiLink®

## Low Profile TV Wall Mount for 23"-42" TV

Art. No.: BP0004



### Specification:

Screen Size	23"-42"
Rated Load	25kg/55lbs
VESA	75x75, 100x100, 200x100, 200x200
Distance to the wall	13mm
Product Size	230 x 230 x 13mm



### Package Contents:

- » 1 x TV Wall Mount
- » 1 x Screw Package
- » 1 x User Manual

### Package Informations:

- » Packing Dimension: 239 x 239 x 25mm
- » Packing Weight: 0.97kg
- » Carton Dimension: 340 x 255 x 255mm
- » Carton Q'ty: 12pcs
- » Carton Weight: 12kg



This product is designed to be installed on wood stud walls, solid concrete walls or brick walls. Make sure that the supporting surface will safely support the combined weight of the equipment and all attached hardware and components. This product is intended for indoor use only. Using this product outdoors could lead to product failure and personal injury.



RoHS  
compliant

\* The specifications and pictures are subject to change without notice.  
\* All trade names referenced are the registered trademark of their respective owners.



Made in China

Best Connectivity