

LogiLink®

Triple Monitor Desk Stand for 13"-27" Monitor

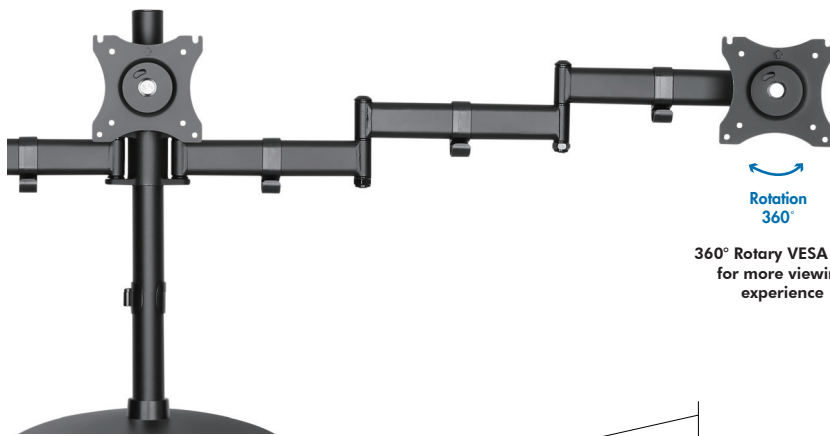
Art. No.: BP0051



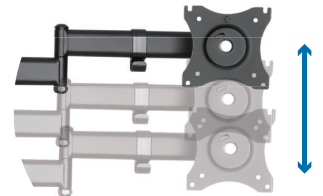
Easy installation and compatible with VESA standard max. 100x100mm.

Features:

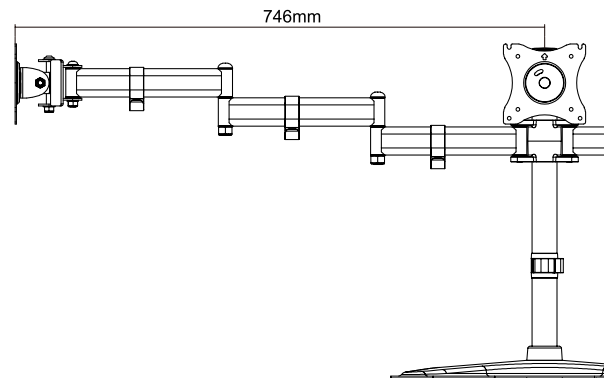
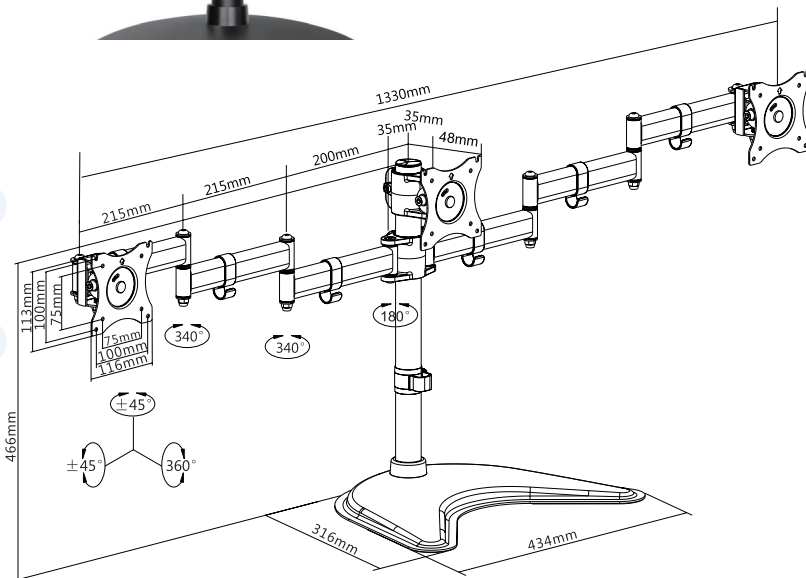
- » Super strong mounting brackets: Solid-reinforced Cold Steel, durable product with maximum capacity of 8kg for each arm
- » Maximum arm extension length is 665mm, Tilt capacity: 45°~-45°, Swivel capacity: 45°~-45° and Rotation capacity: 180°~-180°
- » Compatible with VESA 75x75mm, 100x100mm
- » Easy to install with direction indicator
- » Fit for 13-27 inch LCD Monitor



Rotation
360°
360° Rotary VESA plate
for more viewing
experience



Freely adjusting height for an
optimal ergonomic position



* The specifications and pictures are subject to change without notice.
* All trade names referenced are the registered namework of their respective owners.



BP0051



4 052792 047998

Made in China

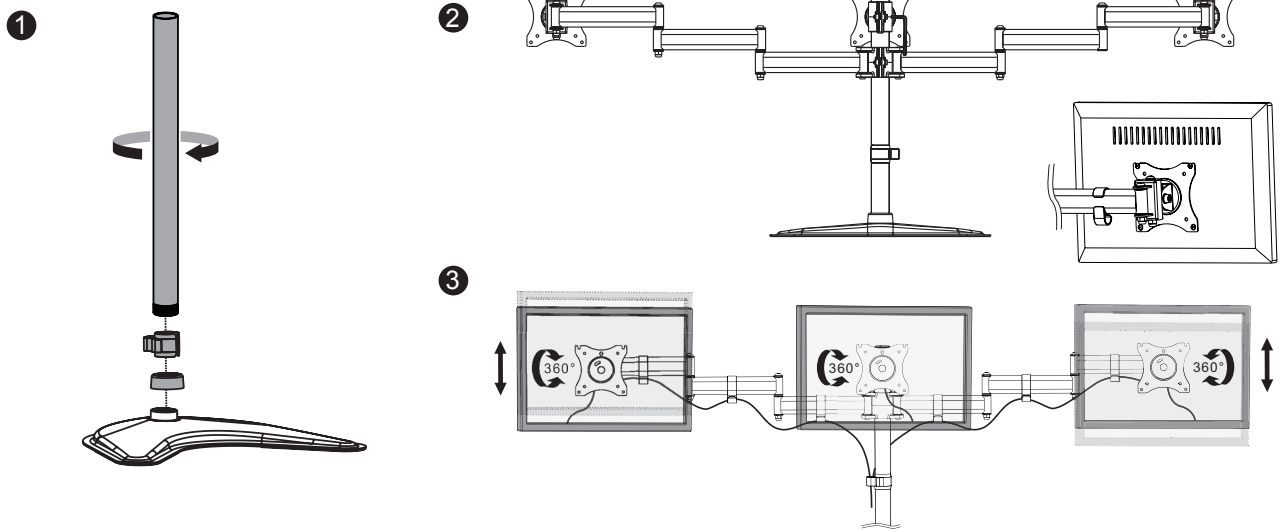
Best Connectivity

LogiLink®



Triple Monitor Desk Stand for 13"-27" Monitor

Art. No.: BP0051



Specification:

Screen Size	13"-27"
Rated Load	8kg/17.6lbs for each arm
VESA	75x75, 100x100
Arm Extend	665mm
Tilt	45° ~-45°
Swivel	45°~-45°
Rotate	180°~-180°
Pole Height	466mm
Product Size	1448 x 316 x 466mm

Fits
13"-27"
Monitor

**FULL
MOTION**

VESA
Max.
100x100mm

**Arm
Extend**
665mm

**Each
Arm**
rated
8kg/17.6lbs

ROTATION
360°

TILT
45°
-45°

SWIVEL
-45° / 45°

Package Contents:

- » 1 x Triple Monitor Desk Stand
- » 1 x Screw Package
- » 1 x User Manual

Package Informations:

- » Packing Dimension: 620x340x145mm
- » Packing Weight: 8.3kg
- » Carton Dimension: 630x350x305mm
- » Carton Q'ty: 2pcs
- » Carton Weight: 17.2kg



RoHS
compliant

* The specifications and pictures are subject to change without notice.
* All trade names referenced are the registered namework of their respective owners.

