

LogiLink®



Power Cable

Safety Plug to 2x IEC C13 Female

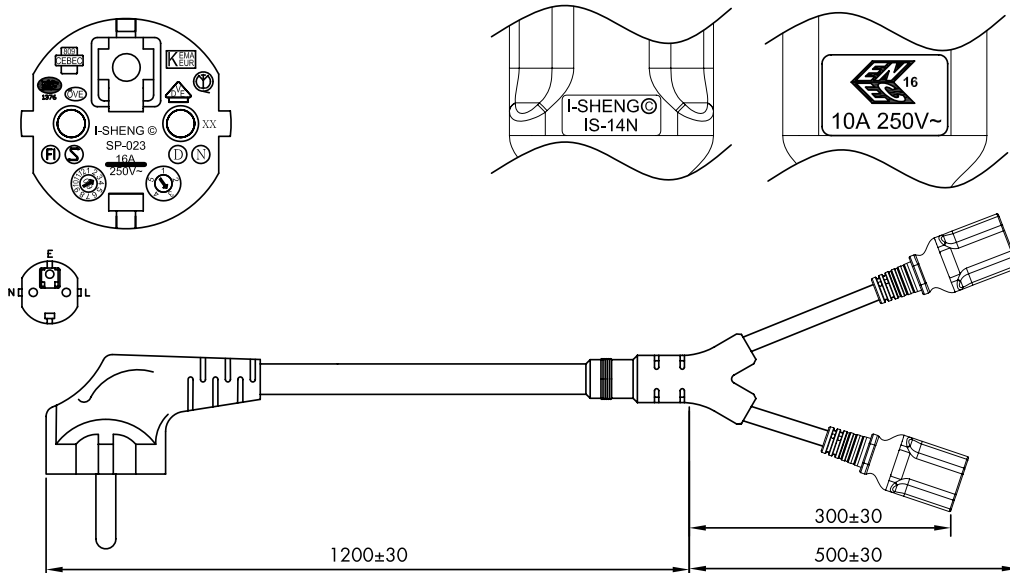
Art. No.: CP101

Durable cable designed to power your computer, server or PDU equipments from a grounded power outlet. Make your work environment more flexible and efficient in different cable sizes.

Features:

- » Safety plug (CEE 7/7) to 2x IEC 60320-C13 female
- » Cable Type: H05VV-F3G 2x 0.75 mm²/1x 1.0 mm²
- » Suitable for 230 V, 10 A, 2300 W
- » VDE approved
- » With double protective contact
- » Length: 1.7 m
- » Color: Black

Technical Drawing:



Package Content:

- » 1x Power Cable

Package Information:

- » Packing Dimension: 220 x 75 x 75 mm
- » Packing Weight: 0.227 kg
- » Carton Dimension: 546 x 355 x 197 mm
- » Carton Q'ty: 45 pcs
- » Carton Weight: 13.06 kg



*The specifications and pictures are subject to change without prior notice.
*All trade names referenced are the registered trademarks of their respective owners.



CP101



Made in China