

# LogiLink®



## Power Cable

Safety Plug to IEC C13 90°

Art. No.: CP117  
CP118  
CP119

Durable cable designed to power your computer, server or PDU equipments from a grounded power outlet. Make your work environment more flexible and efficient in different cable sizes.

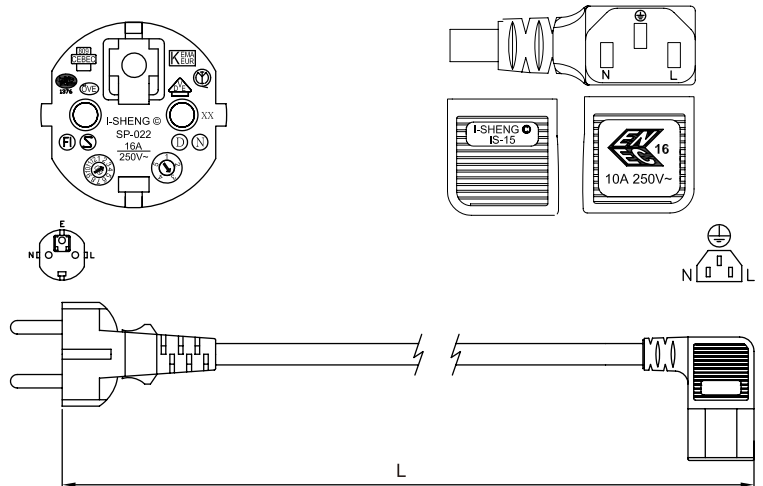
### Features:

- » Safety plug CEE 7/7 to IEC 60320 C13 socket 90° angled
- » Cable in accordance with H05VV-F3G, VDE approved
- » Suitable for 230 V, 10 A, 2300 W
- » With double protective contact
- » Color: Black



Art-No.	Cable Length	Diameter	EAN Code
CP117	2 m	3 x 0.75 mm <sup>2</sup>	4052792038903
CP118	3 m	3 x 1.0 mm <sup>2</sup>	4052792038910
CP119	5 m	3 x 1.5 mm <sup>2</sup>	4052792038927

### Technical Drawing:



### Package Content:

- » 1x Power Cable

### Package Information:

Art-No.	Packing Dimension	Packing Weight	Carton Dimension	Carton Q'ty	Carton Weight
CP117	288 x 118 mm	0.19 kg	546 x 355 x 197 mm	90 pc	18.9 kg
CP118	288 x 118 mm	0.29 kg	546 x 355 x 197 mm	60 pc	18.67 kg
CP119	348 x 140 mm	0.65 kg	546 x 355 x 197 mm	30 pc	20.13 kg



\*The specifications and pictures are subject to change without prior notice.  
\*All trade names referenced are the registered trademarks of their respective owners.

Made in China