



# LogiLink®

## Power Cable

UK Plug to IEC C5 Socket

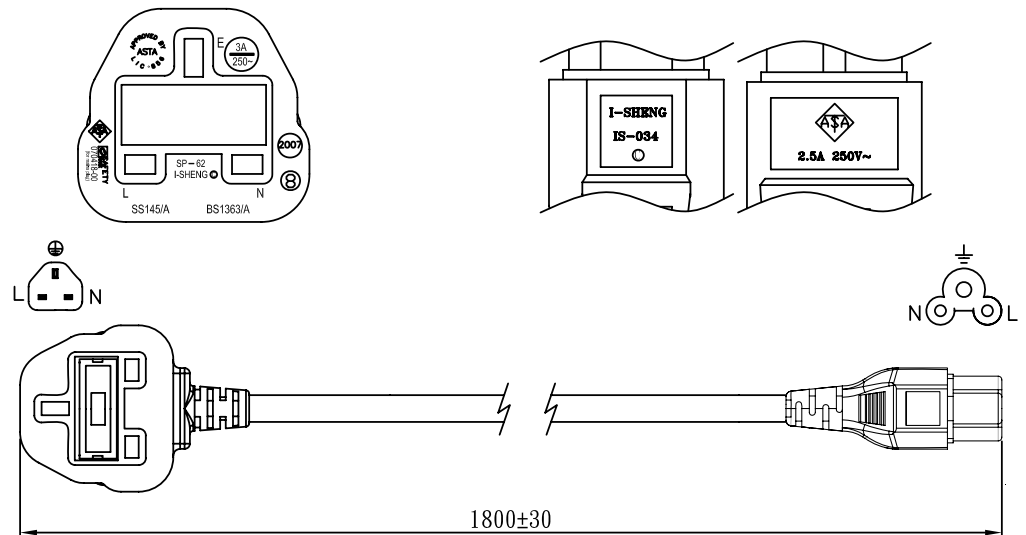
Art. No.: CP120

The LogiLink power cable has a male BS 1363 plug and a female IEC C5 connector. Perfect for notebook power supplies or other electronic devices, which need to be connected to an UK socket.

### Features:

- » BS 1363 (UK) plug to IEC 60320 C5 socket
- » Cable type: H03VVH2-F, 2x 0.75 mm<sup>2</sup>
- » Suitable for 230 V, 2.5 A, 575 W
- » With integrated 3 A fuse
- » ASTA approved
- » Cable length: 1.8 m
- » Color: Black

### Technical Drawing:



### Package Content:

- » 1x Power Cable

### Package Information:

- » Packing Dimension: 260 x 120 x 20 mm
- » Packing Weight: 0.19 kg
- » Carton Dimension: 546 x 355 x 197 mm
- » Carton Q'ty: 75 pcs
- » Carton Weight: 14.61 kg



CP120



4 052792 039634

Made in China



\*The specifications and pictures are subject to change without prior notice.  
\*All trade names referenced are the registered trademarks of their respective owners.