



Cat.5e RJ45 Shielded Modular Plug, with Black Boots

Art. No.: MP0012

Technical Features

Modular RJ45 plug, Cat.5e Class D

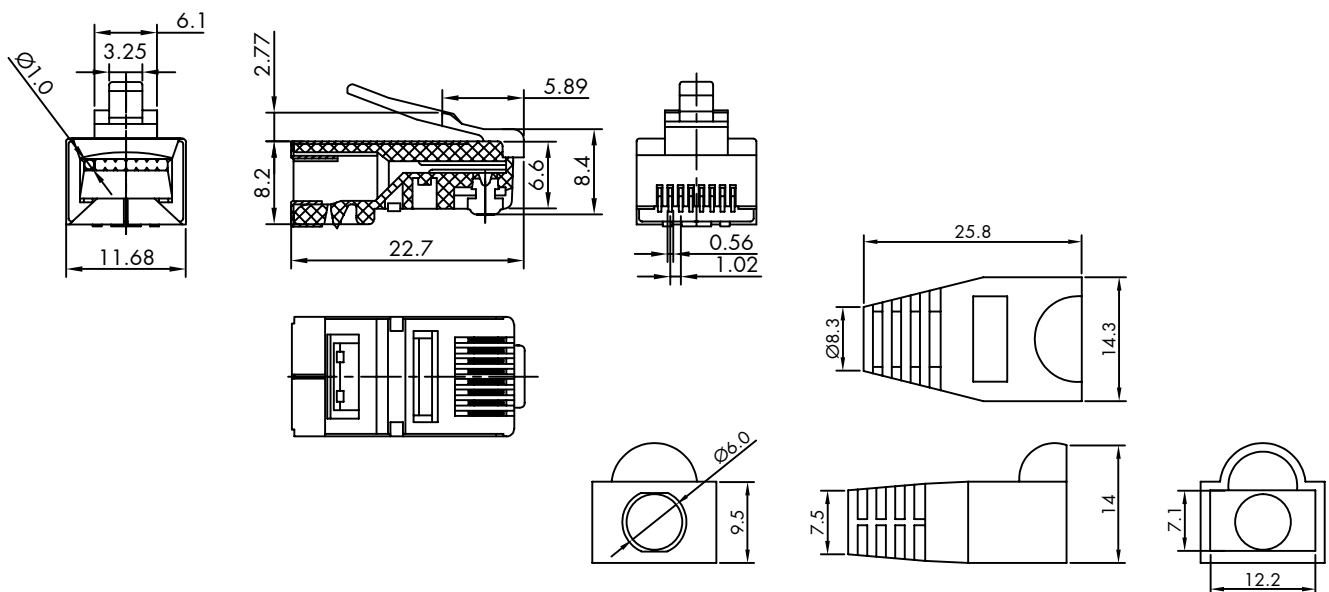
Shielded plug, Gold-plated contacts

Include Bend Relief

Packaging unit: 100 pieces

Boot Color: black

Technical Drawing



Unit: mm

MP0012 v.2



Made in China

www.2direct.de



*The specifications and pictures are subject to change without prior notice.
*All trade names referenced are the registered trademarks of their respective owners.

Package Contents

100 x RJ45 Shielded Modular Plug + 100 x Black Boot

Packaging Information

Packing Dimension	170 x 240 mm
Packing Weight	0.423 kg
Carton Dimension	440 x 340 x 230 mm
Carton Q'ty	25 pcs
Carton Weight	kg



MP0012 v.2



Made in China

www.2direct.de



*The specifications and pictures are subject to change without prior notice.
*All trade names referenced are the registered trademarks of their respective owners.