



Cat.8.1 Field Termination Plug

Part no.: MP0082

Technical Features

GHMT certified Cat.8.1 Class I Channel

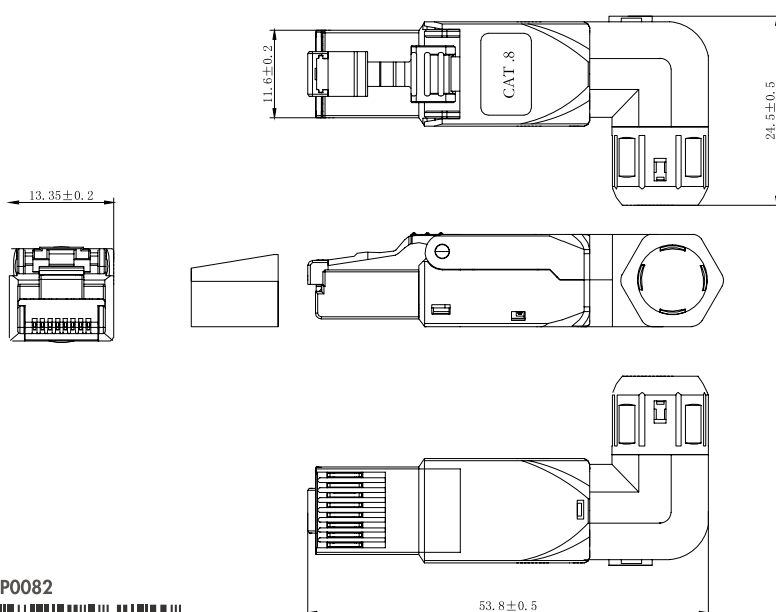
Toolless plug with 90° angled option

Support cable entry from five directions

For solid & stranded wire AWG22-26

Zinc-alloy fully shielded metal housing

Technical Drawings



Electrical:

- Contact Resistance: 20MΩ max
- Insulation Resistance: 500MΩ min @ 500V DC
- Withstand Voltage: DC 1000V AC 700V RMS
60Hz, 1min
- Component testing for ISO/IEC TR 11801-9901-2014, IEC 60603-7-5, CAT.8/Class I Channel Test pass

Environmental:

- Storage Temperature: -40°-70°
- Operation Temperature: -10°-60°

Mechanical:

- Housing Material: Zinc alloy
- IDC Material: PC Terminal: Phosphor Bronze, Tin Plating
- RJ45 Contact Life: 750 Times min
- Plug inforce: <30N
- Solid cable: 1/22AWG(0.65 mm)-1/26AWG(0.4 mm)
ID: 1.1 mm-1.6 mm
- Stranded cable: 7/22AWG-7/26AWG
ID: 1.1 mm-1.6 mm
- Cable OD: 5.0 mm-8.5 mm

MP0082



4 052792 062540

Made in China

www.2direct.de



*The specifications and pictures are subject to change without prior notice.
*All trade names referenced are the registered trademarks of their respective owners.

Package Contents

1x Cat.8.1 Field Termination Plug

Packaging Informations

Packing Dimension	80x120 mm
Packing Weight	0.0185 kg
Carton Dimension	475x275x200 mm
Carton Q'ty	500 pcs
Carton Weight	10 kg



MP0082



Made in China

www.2direct.de



*The specifications and pictures are subject to change without prior notice.
*All trade names referenced are the registered trademarks of their respective owners.