



Cat.6 Wall Outlet

Technical Features

Category 6 Class E 250 MHz

ISO/IEC 11801 and TIA/EIA 568B.2-1

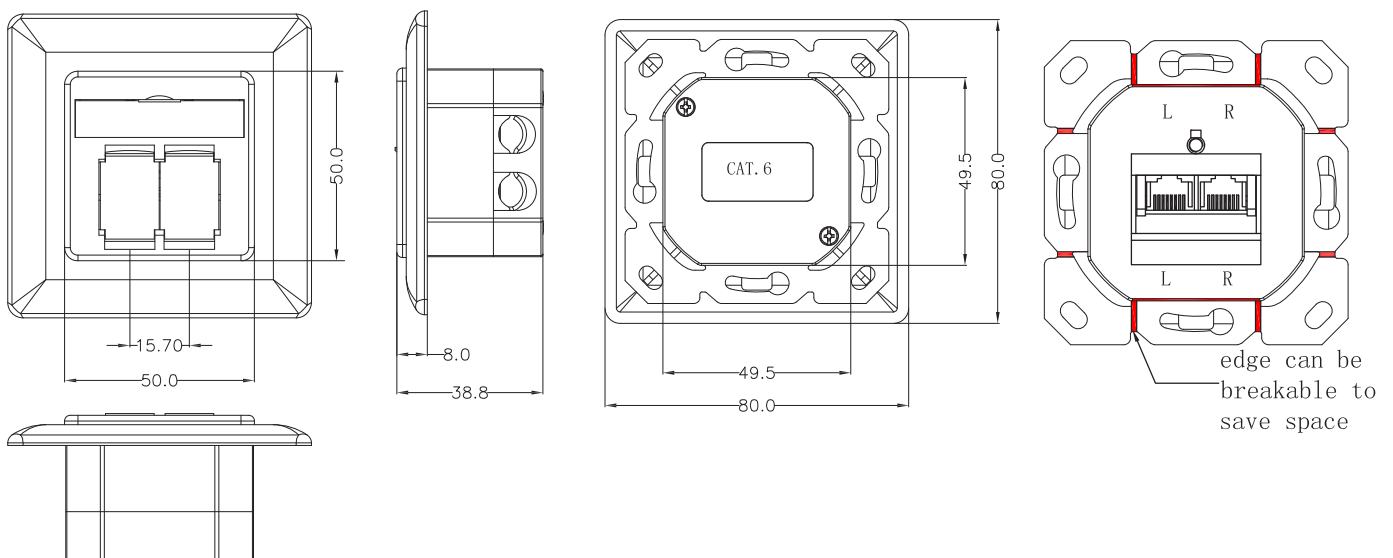
2 shielded RJ45 jacks 40° angled

Horizontal cable entry

Fully shielded housing

Flush-mounted type

Technical Drawings



www.logilink.com



RoHS
compliant



Part no.	Color	EAN Code
NP0023	Pure white	4052792027297
NP0024	Pearl white	4052792027303

Package Contents

Cat.6 Wall Outlet x1

Packaging Informations

Packing Dimension	80 x 80 x 40mm
Packing Weight	0.25kg
Carton Dimension	365 x 365 x 300mm
Carton Q'ty	64pcs
Carton Weight	17.6kg

