

LogiLink®

Wireless N 150 Mbps USB Adapter

Art. No.: WL0151A



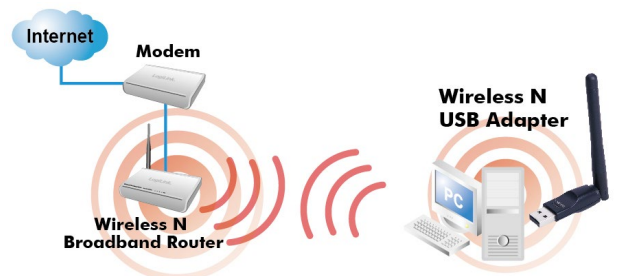
The WL0151A is a highly integrated MAC/BBP and 2.4GHz RF/PA/LNA single chip with 150Mbps PHY rate supporting. It fully complies with IEEE802.11n and IEEE802.11b/g feature rich wireless connectivity at high standards, delivers reliable, cost-effective, throughput form an extended distance. The WL0151A is designed to support standard based features in the areas of security, quality of service and international regulation, giving end users the greatest performance anytime in any circumstance.

Features:

- » Chipset: Realtek RTL8188EUS
- » With 2 dBi detachable antenna
- » Complies with IEEE802.11b/g/n standards
- » Supports 64/128-bit WEP, WPA, WPA2, WPA-PSK and WPA2-PSK Encryption
- » High transfer data rate – up to 150 Mbps
- » Supports WiFi Protection Setup (WPS)
- » Supports USB 2.0/1.1 interface
- » Supports Windows 2000/XP/Vista/7/8/10 Linux 2.6.x and MAC OS

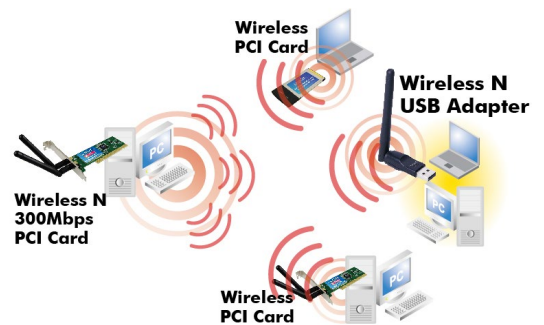


SMA Male
Reverse



Software and System Information:

| | |
|------------------------------|--------------|
| Linux 2.4 / 2.6 | 380 mm |
| Windows 2000/XP/Vista/7/8/10 | X86 Platform |
| Mac OS X 10.3/10.4/10.5/10.6 | N/A |



WL0151A



Made in China



RoHS
compliant



* The specifications and pictures are subject to change without notice.

*All trade names referenced are the registered trademark of their respective owners.

LogiLink®

Wireless N 150 Mbps USB Adapter

Art. No.: WL0151A



Specification:

Hardware

| | |
|----------------|----------------------|
| Main Chipset | Realtek RTL8188EUS |
| Host interface | USB 2.0 / 1.1 Type A |
| LED | Link/Activity |

RF Performance

| | |
|----------------------------|---|
| Standards | IEEE802.11b/g & 802.11n (1T1R mode, 150 Mbps) |
| Antenna | 2 dBi detachable antenna |
| Antenna Connector | SMA Male Reverse |
| Operation Frequency | 2412–2483.5 MHz (varies according to different regions) |
| Typical Tx Power (E.R.I.P) | 802.11b (CCK) 11 Mbps: 19±1 dBm; 802.11g (OFDM) 54 Mbps: 16 ±1 dBm 802.11n (HT20@MCS7), 15 ±1 dBm; 802.11n (HT40@MCS7), 15 ±1 dBm |
| Receive Sensitivity | 802.11b: -86 ±1 dBm; 802.11g: -74 ±1 dBm 802.11n (HT20), -70 ±1 dBm; 802.11n (HT40), -70 ±1 dBm |

Software Support

| | |
|------------------|--|
| Operation System | Windows 2000/XP/Vista/7/8/10; Linux 2.6.X; Mac OS X |
| Security | WEP 64/128bit, WPA, WPA2, 802.1x, and 802.11i, Cisco CCS |

Operation conditions

| | |
|---------------------------|--|
| Voltage Range/Current | DC 5.0V ±5% <160 mA |
| Temperature | Operation: -10 – 60°C Storage: -20 – 70°C |
| Humidity (Non-Condensing) | Operation: RH 95% Storage: RH 95% |

Physical Specification

| | |
|------------|---------------------------------|
| Dimensions | 16.4 x 14.7 x 58 mm (Main body) |
| Net Weight | 9.8g |



WL0151A



Made in China



RoHS
compliant



* The specifications and pictures are subject to change without notice.

*All trade names referenced are the registered trademark of their respective owners.

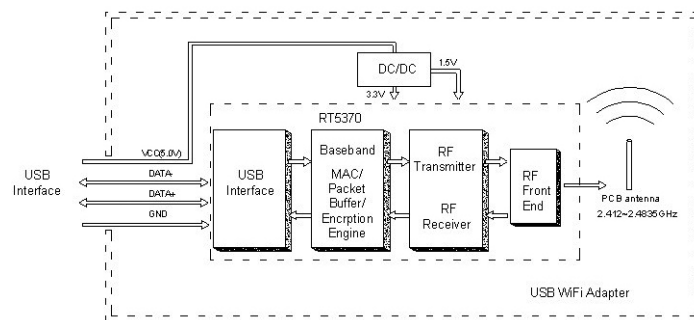
LogiLink®

Wireless N 150 Mbps USB Adapter

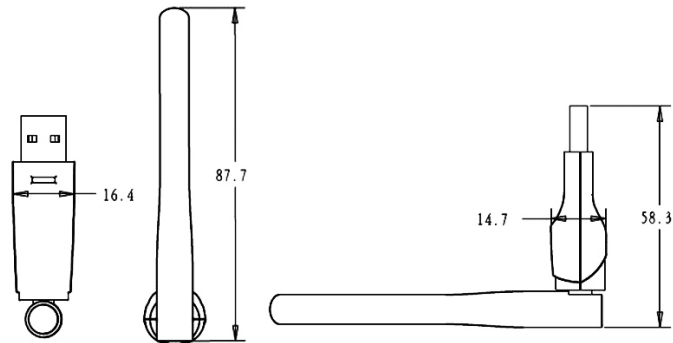
Art. No.: WL0151A



System Block Diagram:



Physical Characteristics:



Package Contents:

- » 1x Wireless N USB Adapter
- » 1x Quick Installation Guide
- » 1x CD (Driver + Utility + Manual)

Packaging Informations:

- » Packing Dimension: 100 x 165 x 26 mm
- » Packing Weight: 0.057 kg
- » Carton Dimension: 490 x 450 x 390 mm
- » Carton Q'ty: 200 pcs
- » Carton Weight: 13.6 kg



WL0151A



4 052792 038330

Made in China



* The specifications and pictures are subject to change without notice.
*All trade names referenced are the registered network of their respective owners.